

**SAVONA OVAL™ WHIRLPOOL**

- 2903.018W Whirlpool**
  - Acrylic with fiberglass reinforcement
  - Pre-leveled tub bottom
  - Dual, molded-in arm rests
  - 1.5 HP, single speed, self-draining pump/motor
  - Factory installed power cord and plug
  - Eight multi-directional and flow-adjustable jets including:
    - Two foot jets
    - Four body massage jets
    - Two recessed back-rest jets
  - Deck-mounted air switch On/Off
  - Two silent air volume controls
  - Quick Connect Safe-T-Heater connection system
  - Factory installed and tested whirlpool system
- 2903.018WC StayClean™ Whirlpool Massage featuring System I**
  - Same as 2903.018W except with the StayClean™ whirlpool system featuring Antimicrobial AlphaSan®
- 2903.002 Bathtub only**

Nominal Dimensions: 60 x 42-1/4 x 21-1/4  
(1524 x 1073 x 540mm)

- Compliance Certifications - Meets or Exceeds the Following Specifications:**
- Underwriters Laboratories - Hydromassage Bathtubs UL 1795
  - ASME A112.19.7M for Whirlpool Appliances
  - ANSI Z124.1 for Plastic Bathtubs
  - ASTM E162 for Flammability
  - NFPA 258 for Smoke Density

**NOTE:** Roughing-in dimensions and product specifications shown on reverse side of page.



**To Be Specified - Required:**

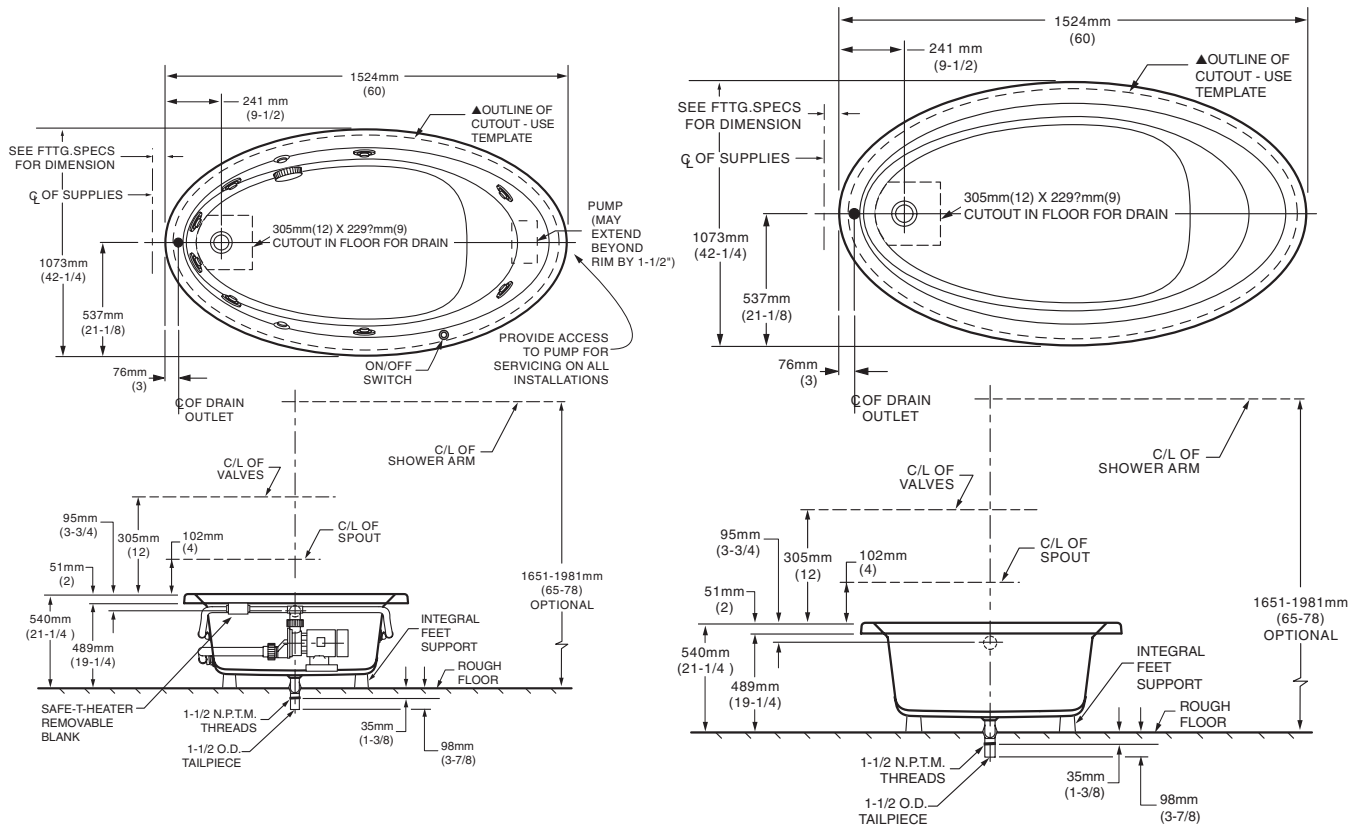
- Color: (specify color)
- Bath Faucet (specify finish)
- Rotary Drain: 1583.470 (specify finish)

**To Be Specified - Optional:**

- Safe-T-Heater\*: 9075.120
- Jet Trim Ring Kit: 9860.200-two per kit (specify finish) for Body Massage Jets only

For color/finish availability and other faucet choices, please see the Product Selector and Pricing Guide.

\* **NOTE:** the Safe-T-Heater is designed to maintain water temperature during operation. It will not heat cold water to desired bathing temperature.



GENERAL SPECIFICATIONS FOR 2903 WHIRLPOOL	
INSTALLED SIZE	60 x 42-1/4 x 21-1/4 In. (1524 x 1073 x 540mm)
WEIGHT	107 Lbs. (49 Kg.)
WEIGHT w/WATER	640 Lbs. (291 Kg.)
GAL. TO OVERFLOW	64 Gal. (243 L)
WHIRLPOOL MIN. OPERATING VOL.	53 Gal. (201 L)
BATHING WELL AT SUMP	45 x 23 In. (1143 x 584mm)
BATHING WELL AT RIM	53 x 32 In. (1346 x 813mm)
WATER DEPTH TO OVERFLOW	15 In. (381mm)
FLOOR LOADING (PROJECTED AREA)	35 Lbs./Sq.Ft. (166 Kgs./Sq.m)
PTS.	27.8
CUBE (FT <sup>3</sup> )	45.4
WHIRLPOOL ELECTRICAL SPECIFICATIONS	
SYSTEM I PUMP	1.6 HP, 9.7 AMPS, 120V.

GENERAL SPECIFICATIONS FOR 2903 BATHING POOL	
INSTALLED SIZE	60 x 42-1/4 x 21-1/4 In. (1524 x 1073 x 540mm)
WEIGHT	107 Lbs. (49 Kg.)
WEIGHT w/WATER	640 Lbs. (291 Kg.)
BATHING WELL AT SUMP	45 x 23 In. (1143 x 584mm)
BATHING WELL AT RIM	53 x 32 In. (1346 x 813mm)
WATER DEPTH TO OVERFLOW	15 In. (381mm)
FLOOR LOADING (PROJECTED AREA)	35 Lbs./Sq.Ft. (166 Kgs./Sq.m)
PTS.	27.8
CUBE (FT <sup>3</sup> )	45.4

**NOTES:**

BATH CAN BE INSTALLED EITHER ABOVE OR BELOW FLOOR LINE AS PIER, ISLAND OR PENINSULA TYPE INSTALLATION. SUMP OF BATH IS SUPPORTED BY INTEGRAL FEET. NO ADDITIONAL SUPPORT REQUIRED. ENCLOSING MATERIALS BY OTHERS.

- IF INSTALLING A DECK-MOUNTED FITTING, BEFORE DRILLING ANY HOLES: CHECK FOR INTERFERENCE WITH CIRCULATING SYSTEM PIPING AND DRAIN OVERFLOW. MOUNTING HOLES DRILLED BY INSTALLER.

OPTIONAL TILING BEAD KIT AVAILABLE.

- REFER TO INSTALLATION INSTRUCTIONS SUPPLIED WITH WHIRLPOOL FOR ADDITIONAL INFORMATION. FITTINGS NOT INCLUDED AND MUST BE ORDERED SEPARATELY.

PROVIDE SUITABLE REINFORCEMENT FOR ALL SUPPORTS.

**ON SYSTEM II:** CONTROL MODULE TO BE MOUNTED BEHIND ACCESS PANEL, A MINIMUM OF (152mm) 6 ABOVE ROUGH FLOOR.

**IMPORTANT:** Dimensions of fixtures are nominal and may vary within the range of tolerances established by ANSI Standard Z124.1 / CSA Certified. These measurements are subject to change or cancellation. No responsibility is assumed for use of superseded or voided leaflet.